

W-Band Ultra-High Data-Rate 65nm CMOS Wireless Transceiver

Korkut Kaan Tokgoz^{*}, Shotaro Maki^{*},
Seitarou Kawai^{*}, Noriaki Nagashima^{*},
Yoichi Kawano[#], Toshihide Suzuki[#], Taisuke Iwai[#],
Kenichi Okada^{*}, and Akira Matsuzawa^{*}

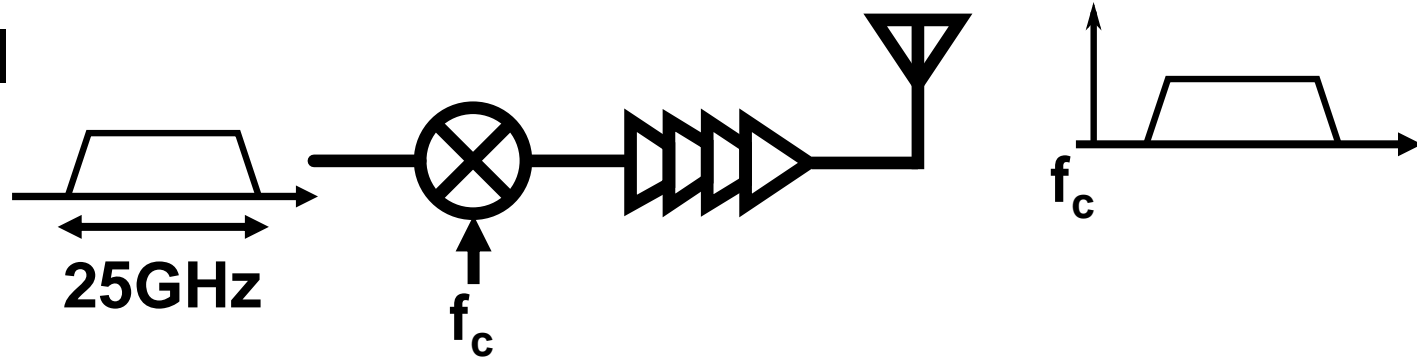
^{}Tokyo Institute of Technology, Japan*

[#]Fujitsu Laboratories Ltd., Japan

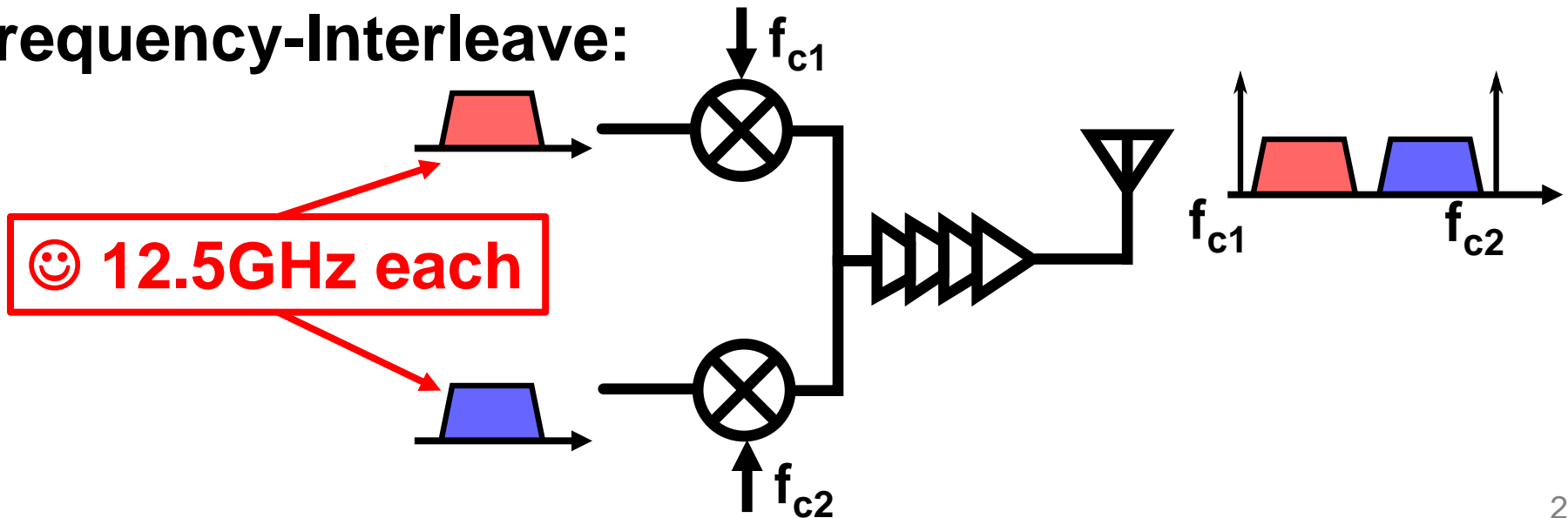
Ultra-High Data-Rate Wireless

16QAM & 25GHz-BW \Rightarrow 100 Gb/s

Conventional approach:

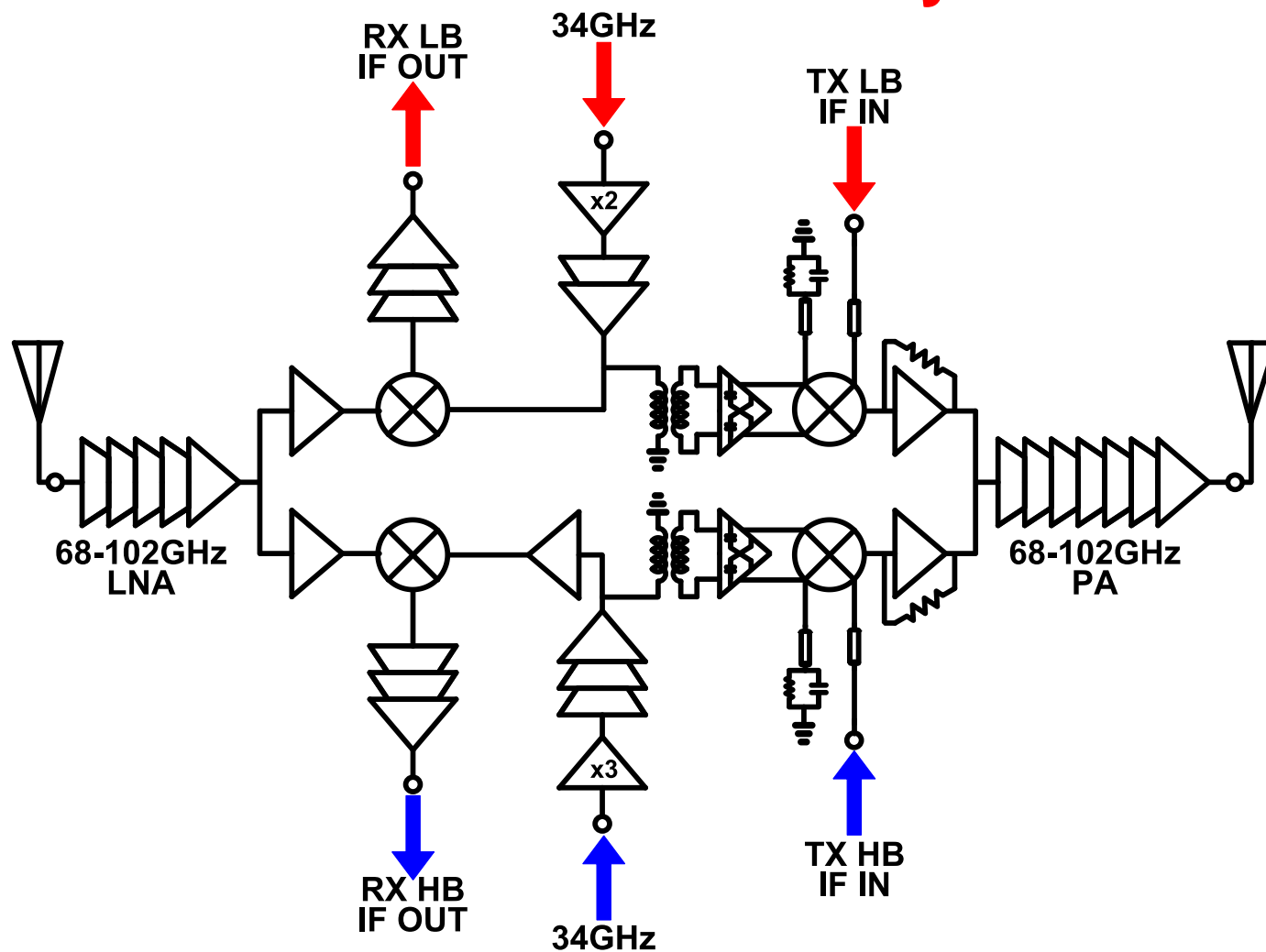


Frequency-Interleave:



Frequency-Interleaved W-Band Transceiver

- 😊 Half speed ADCs & DACs
- 😊 Relaxed baseband system

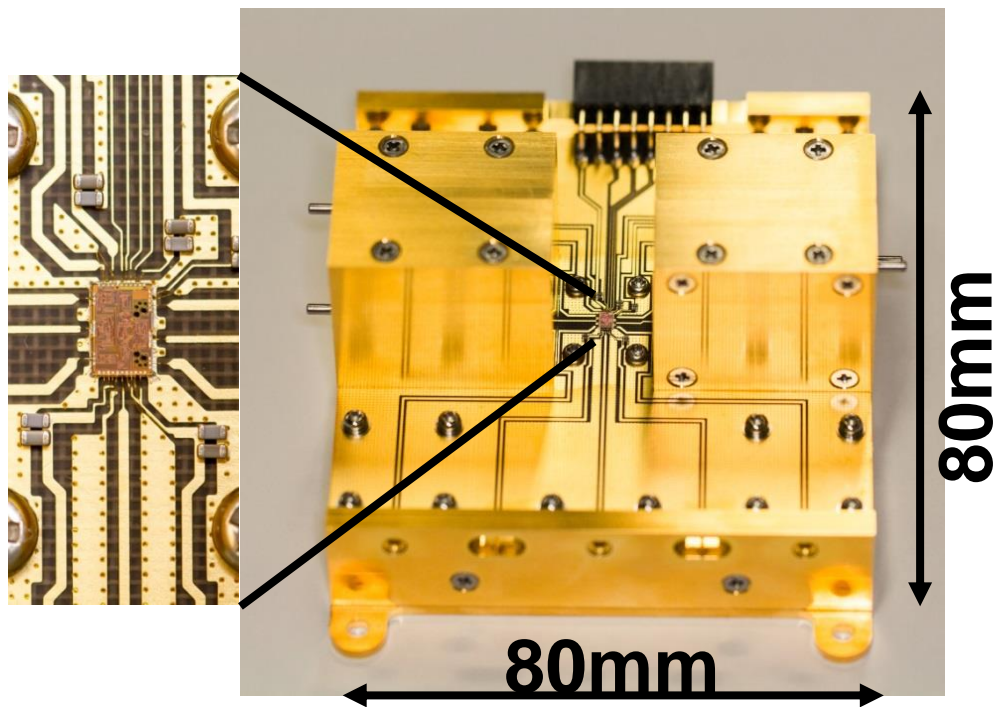
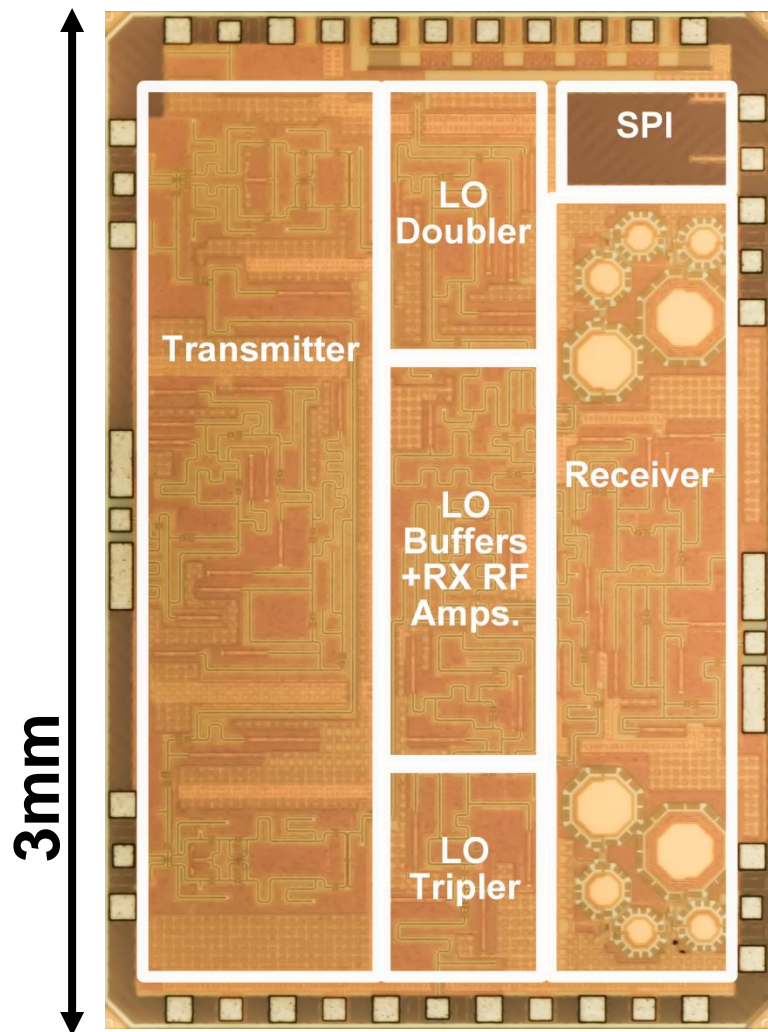


1S-1

Die Photo & Test Module

65nm CMOS

2mm



World Record Data-Rate on CMOS

