

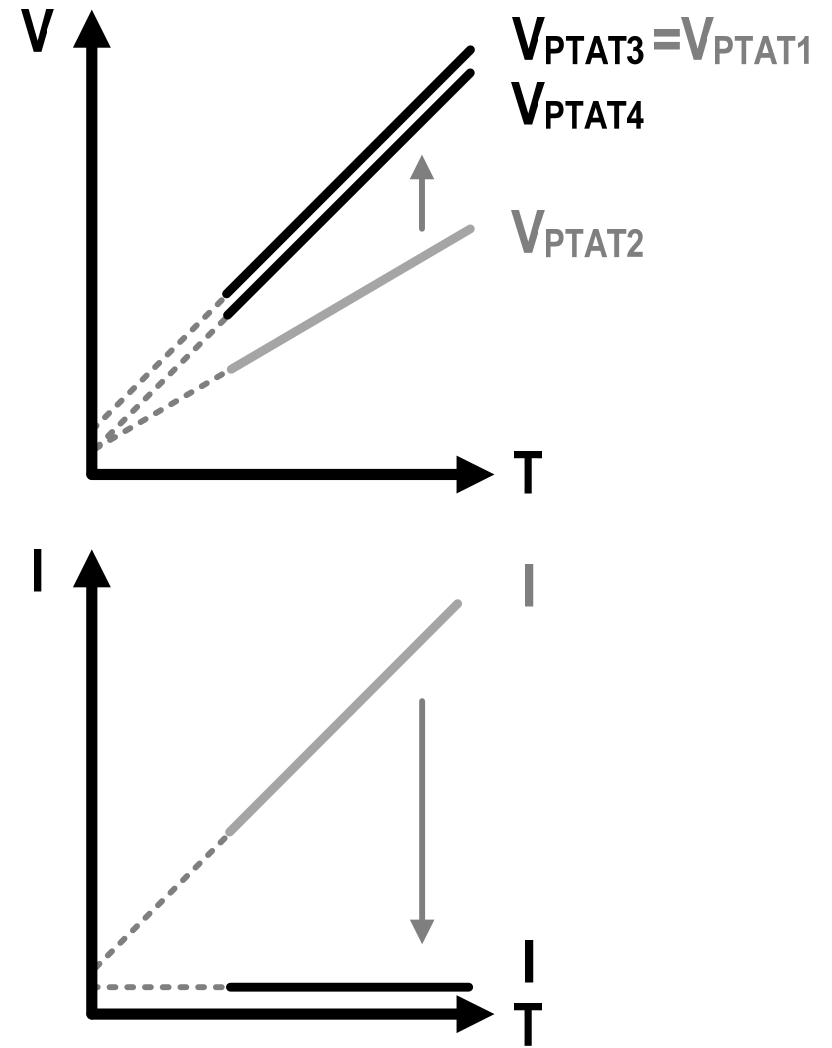
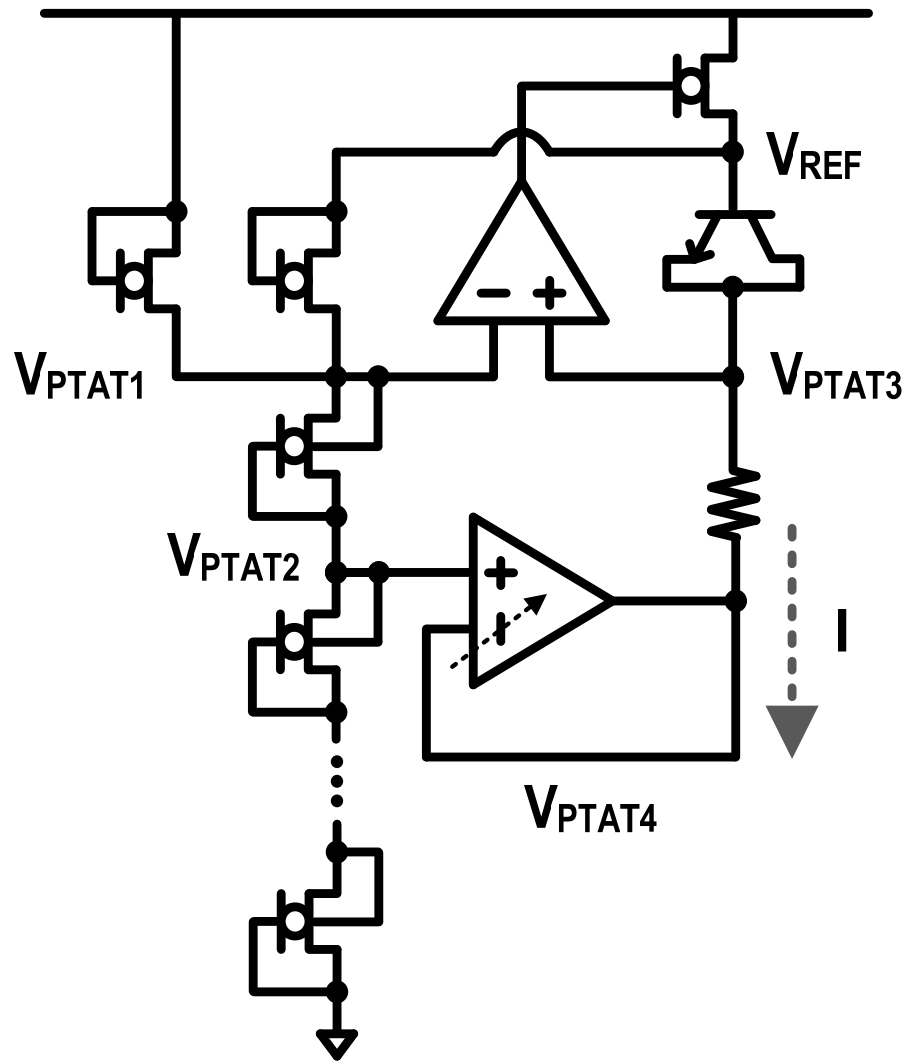


4A-17: A 9.3 nW All-in-One Bandgap Voltage and Current Reference Circuit using Leakage-based PTAT Generation and DIBL Characteristic

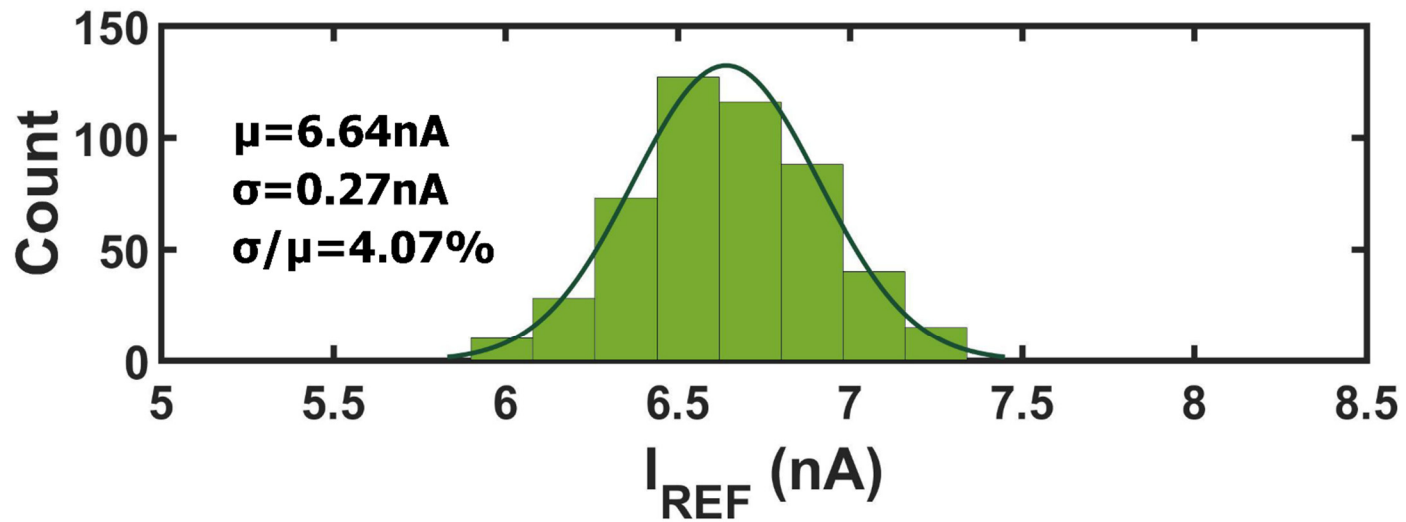
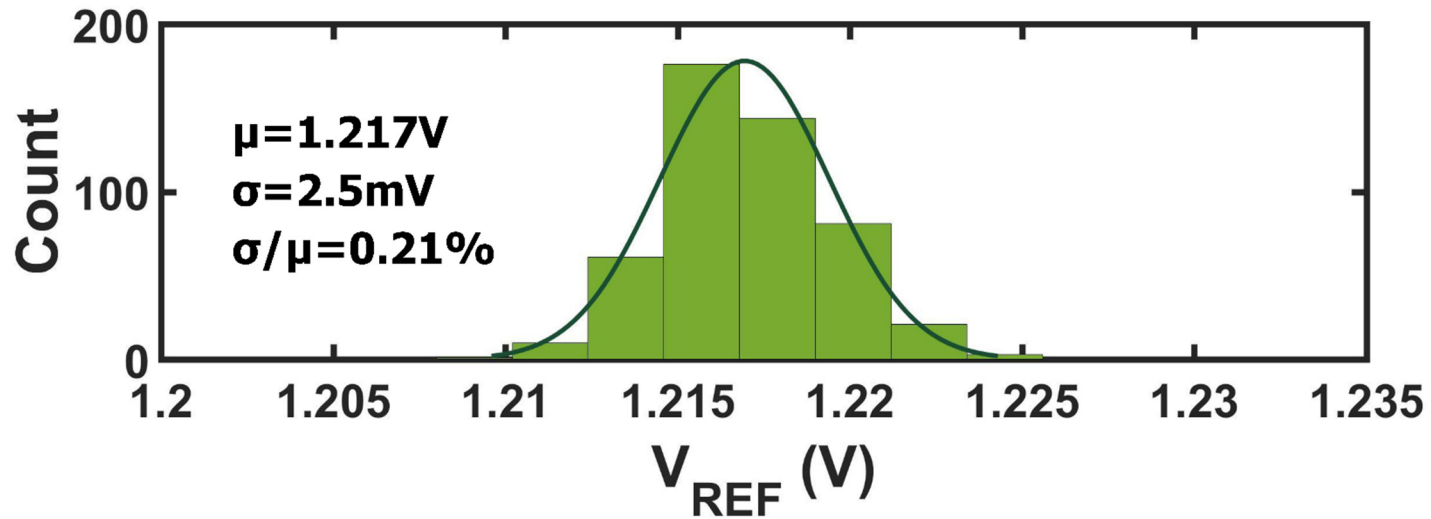
2018.01.24

Youngwoo Ji

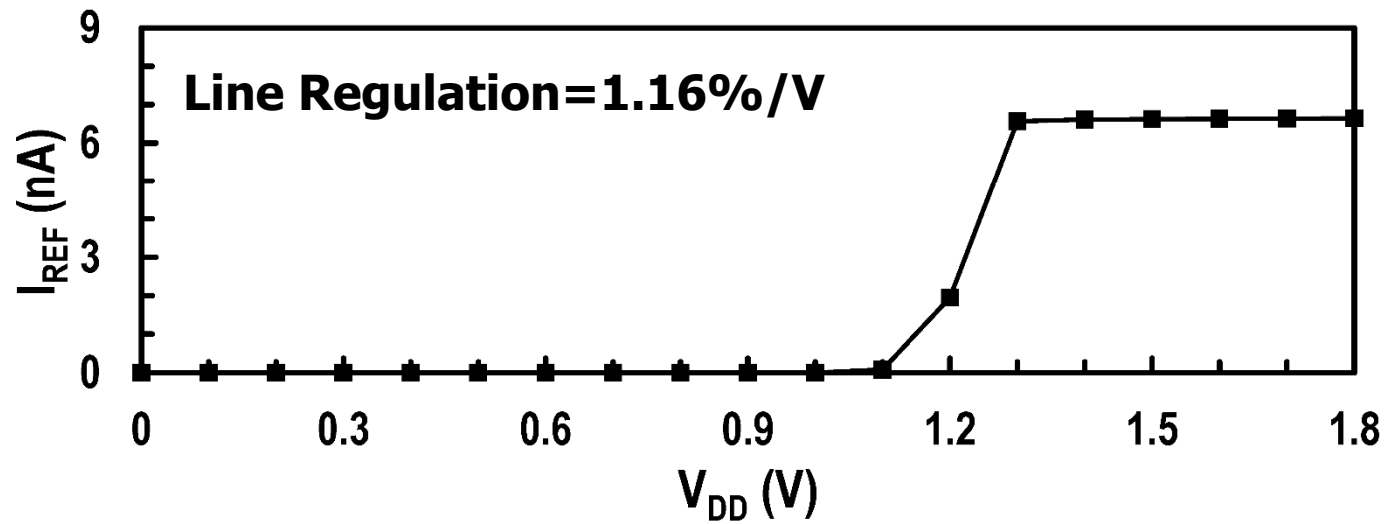
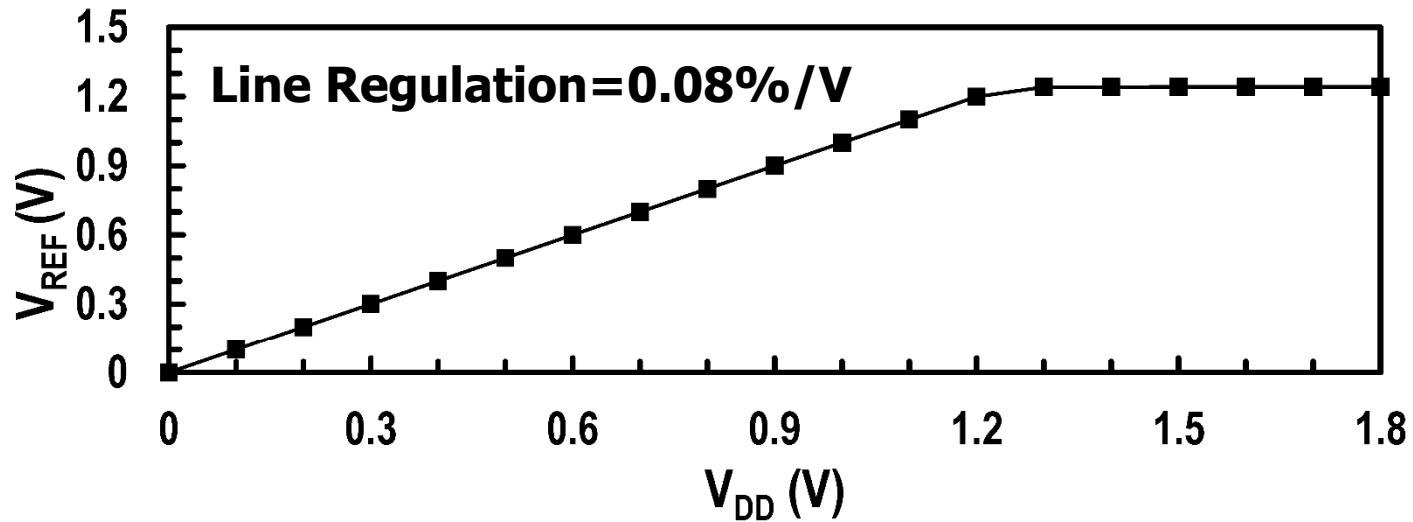
Proposed Scheme



Results (P/V/T)



Results (P/V/T)



Results (P/V/I)

