

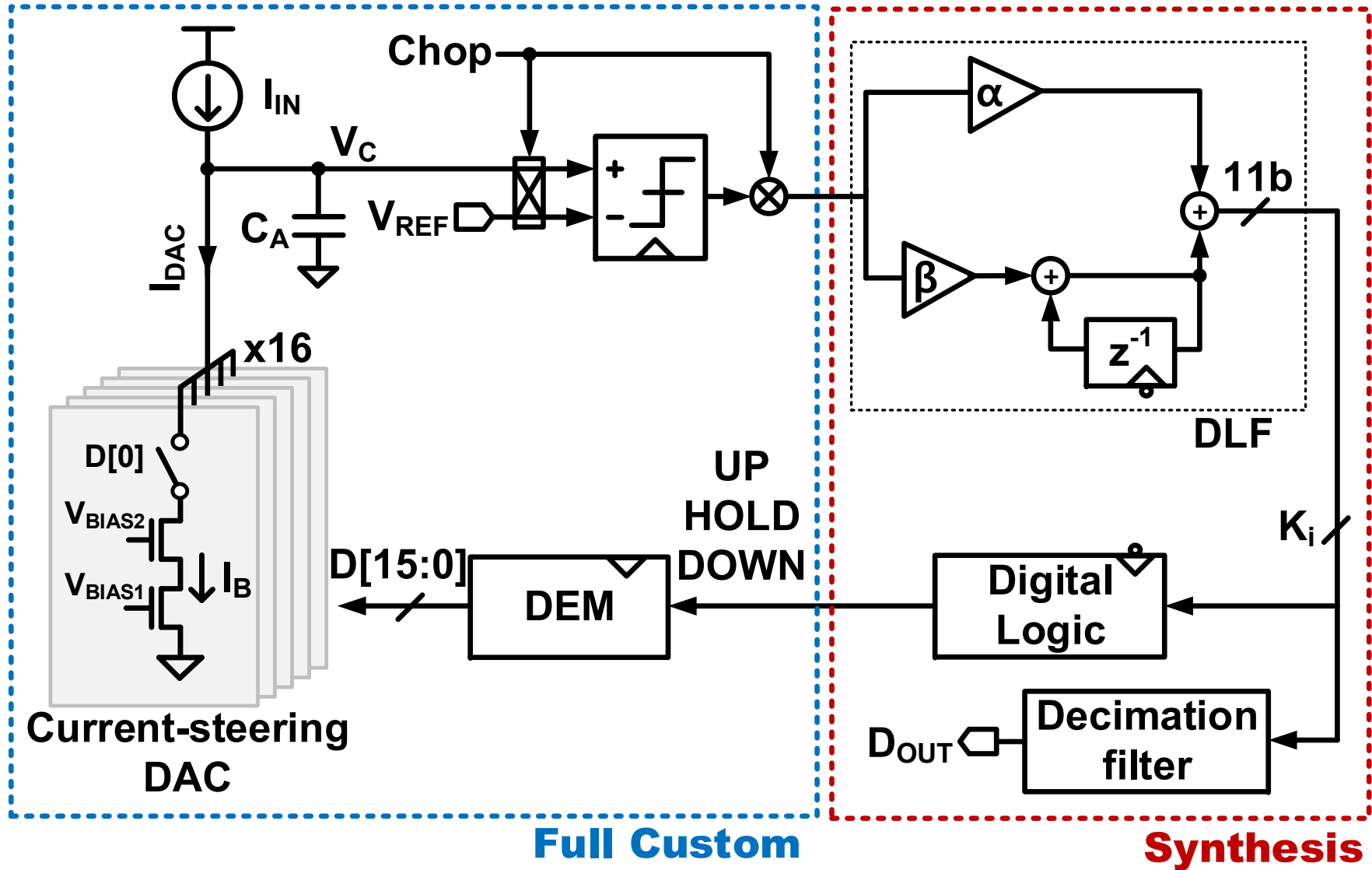


4A-25: A Low-power Wide Dynamic-Range Current Readout Circuit for Biosensors

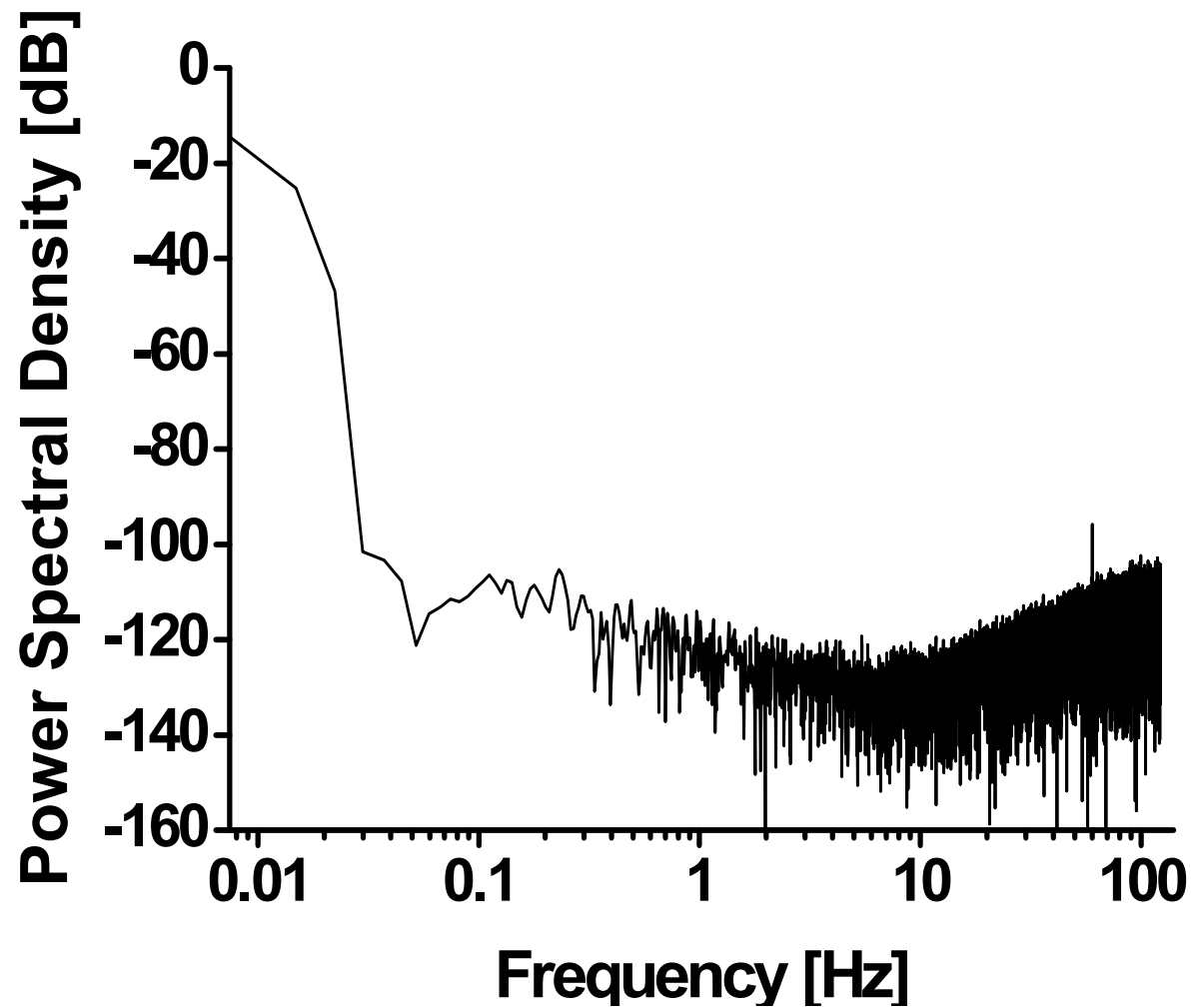
2018.01.24

Hyunwoo Son

Proposed Scheme

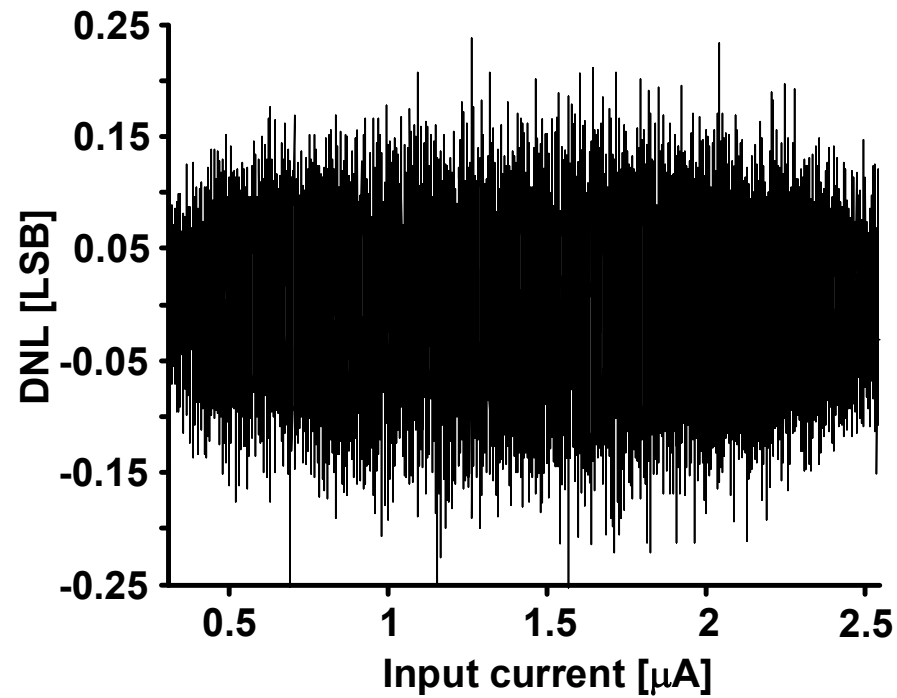


Measurement

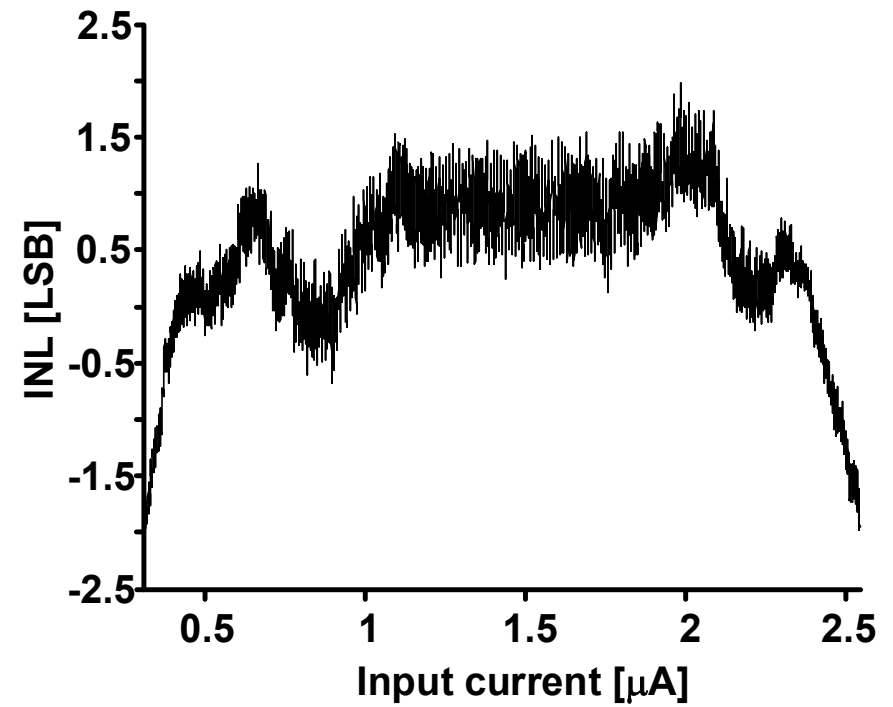


Measurement

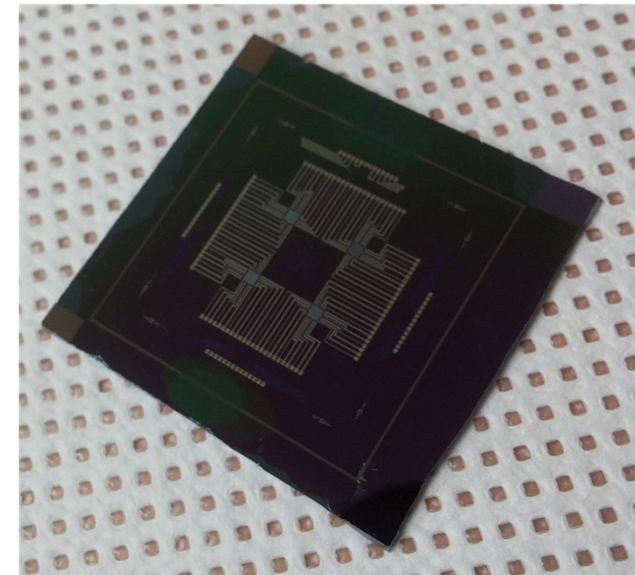
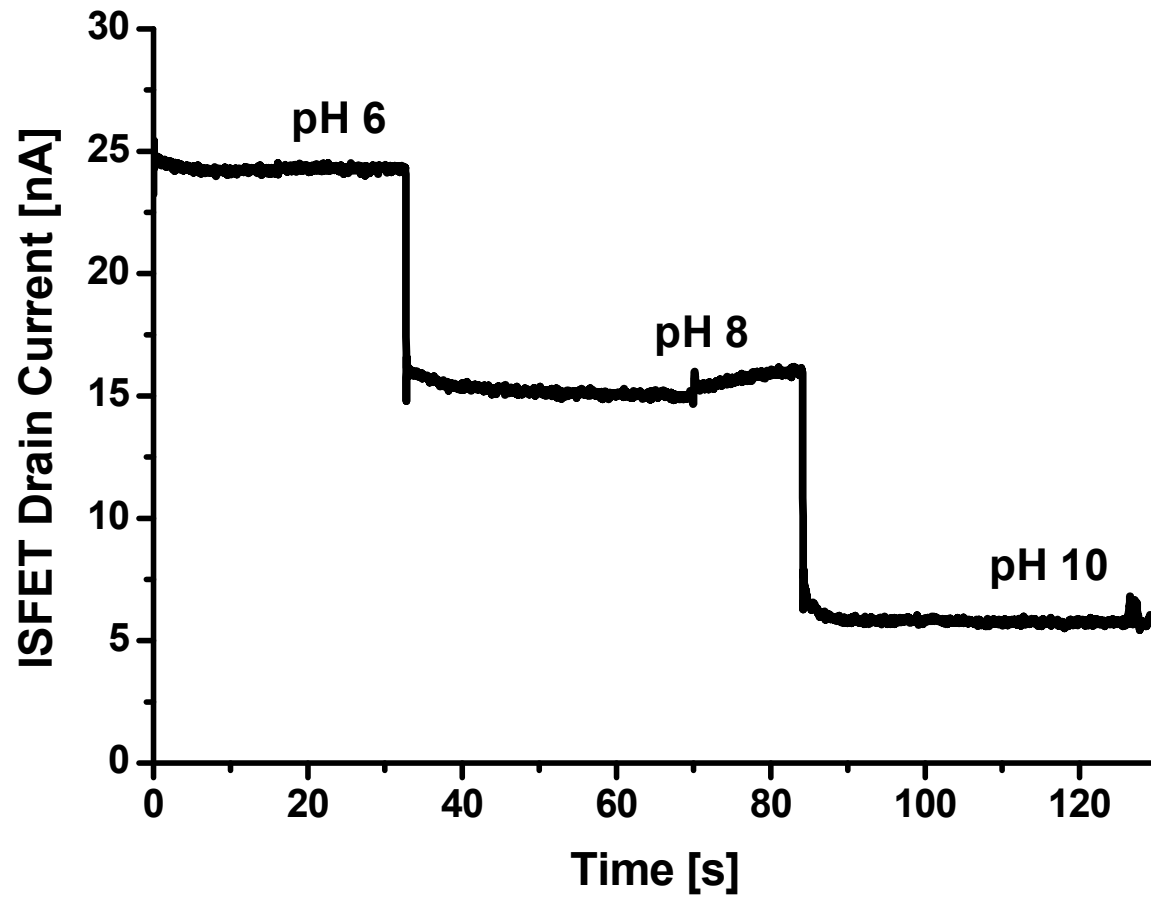
DNL



INL



Measurement



Ion-sensitive FET